

IGNITION MODULE RETROFIT KIT

Model RSTP15C & RSTP17C Tube Heaters

DESCRIPTION:

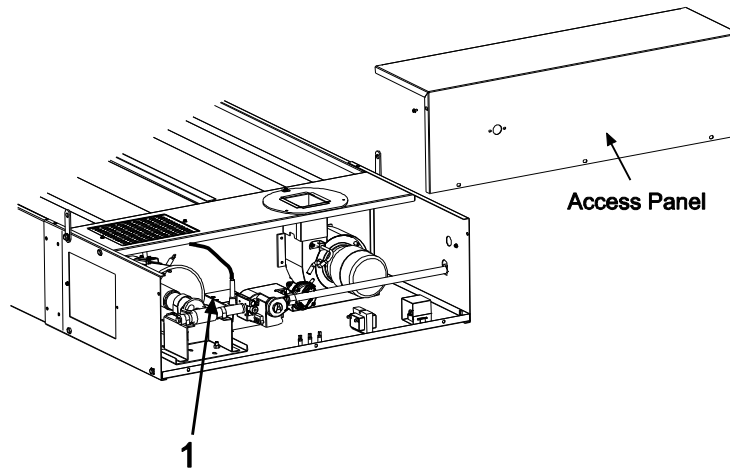
This kit is designed to replace an existing Honeywell module #S87K-1032 with a Fenwal module #35-6087K1-032 on model RSTP15C and RSTP17C tube heaters.

CAUTION:

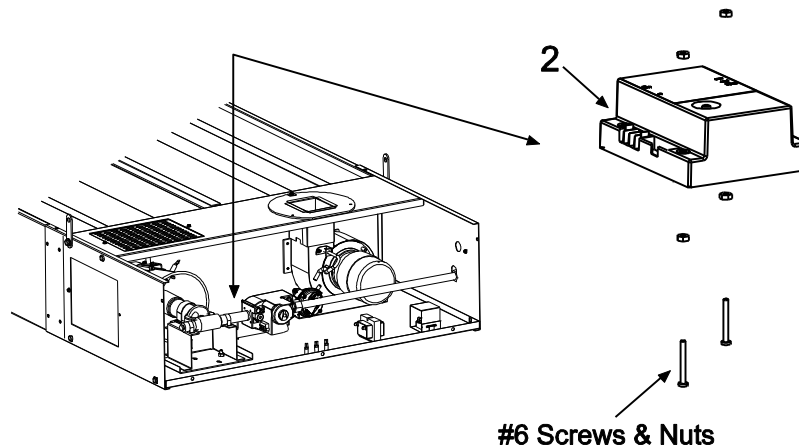
This conversion kit is to be installed by an authorized distributor or other qualified agency in accordance with the manufacturer's instructions and all codes and requirements of the authority having jurisdiction. Failure to follow instructions could result in serious injury, property damage or death. The qualified agency performing this work assumes responsibility for this conversion. **TURN OFF ALL ELECTRICAL AND GAS SUPPLIES TO THE CONTROL BEFORE MAKING THIS CONVERSION.**

INSTRUCTIONS

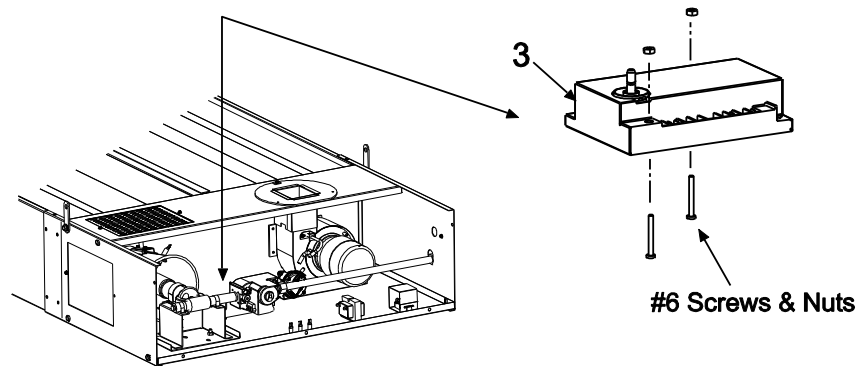
1. Remove the access panel from the heater control cabinet. Disconnect wiring and ignition cable from the existing ignition module.



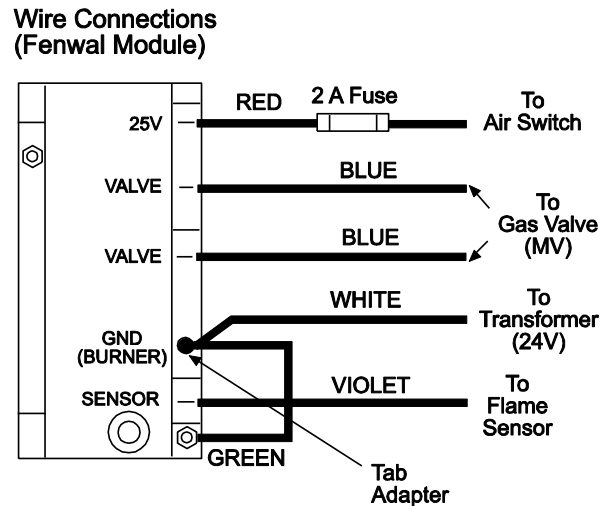
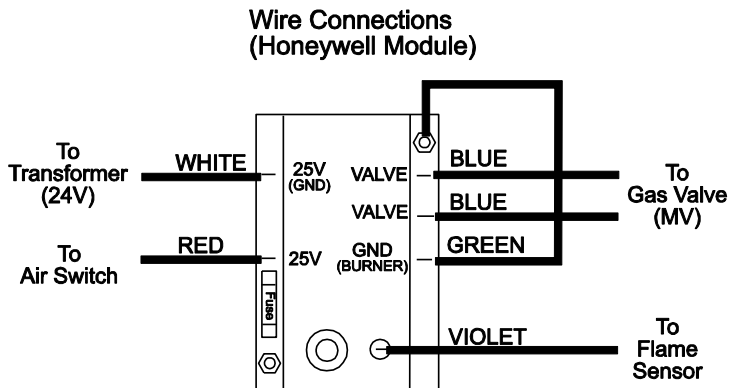
2. Remove the #6 screws and nuts holding existing module. **Note:** The screws and nuts will be re-used to attach the new module. Remove module from control cabinet.



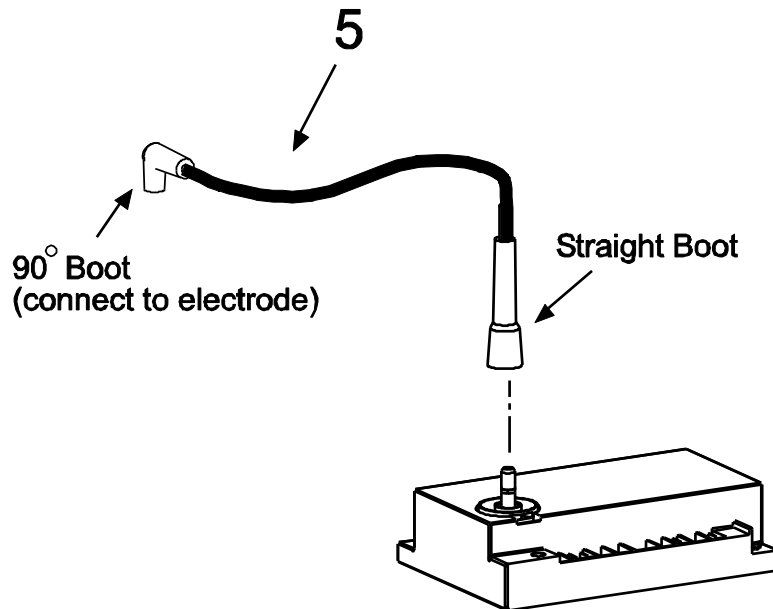
- Place new module onto lower cabinet in the horizontal position shown and secure with the #6 screws and nuts removed earlier. **Note:** The lower spacer nuts are no longer required.



- Connect all new wires (supplied in kit) to heater components as shown in diagram below for Fenwal module. **Note:** Discard the red wire previously connected to the 25V terminal of existing module and air switch. Replace this with the fuse holder wire assembly supplied with kit. The fuse holder is equipped with a 2amp 250vac fuse for circuit protection.

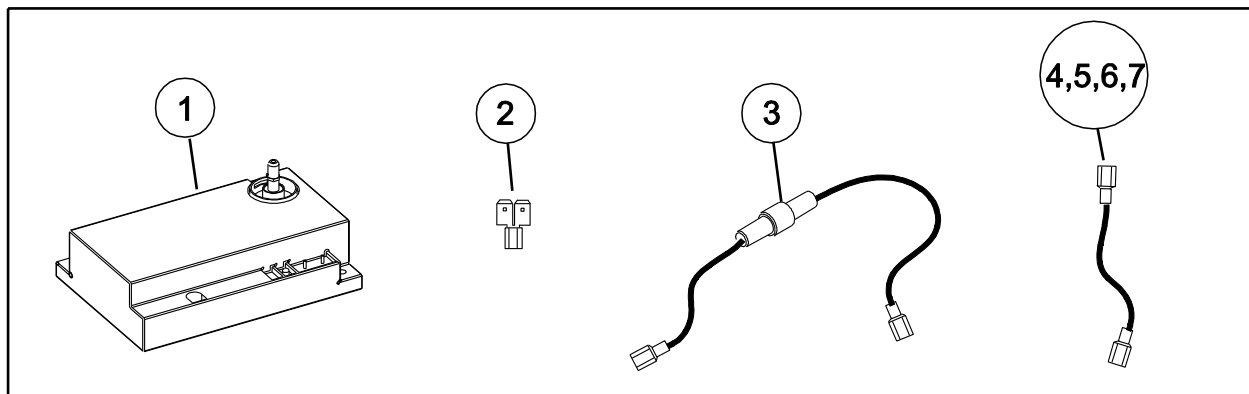


- Reconnect the existing ignition cable with the 90 degree boot end onto the electrode. Connect the straight boot end of the cable to the module terminal.



- Place a new wire connection diagram over existing diagram of control cabinet.

PACKAGE CONTAINS:



Kit No. 44010020

Item No.	Part No.	Description	Qty.
1	30632080	Ignition Module - Fenwal #35-6087K1-032	1
2	30221000	Tab Adapter 1/4" Flat Double Male/Female	1
3	42048020	Wire Assembly w/Fuse Holder (includes 2 amp fuse)	1
4	41019560	Wire, 18Ga Blue 17"	2
5	41161100	Wire, 18Ga Violet 10"	1
6	43448090	Wire, 18Ga White 16"	1
7	43447030	Wire, 18Ga Green 4"	1
8	42360000	Wire Connection Diagram (rev. G) -not shown-	1
9	44011020	Form, Module Retrofit -not shown-	1